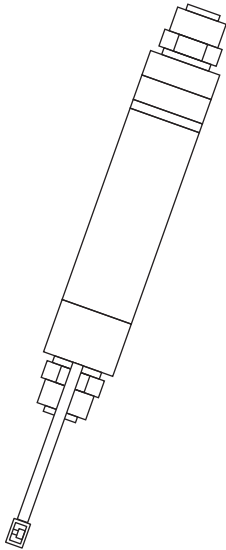


# Instruction Manuals

## UV-LED Water Sterilizer



### Introduction

Thank you for using UV-LED Water Sterilizer manufactured by HC Hitech. Please read this instruction manuals carefully which indicates prescriptive and reasonable installation and usage before using the product to make sure it works properly and effectively. please contact us promptly in case of any problems encountered.

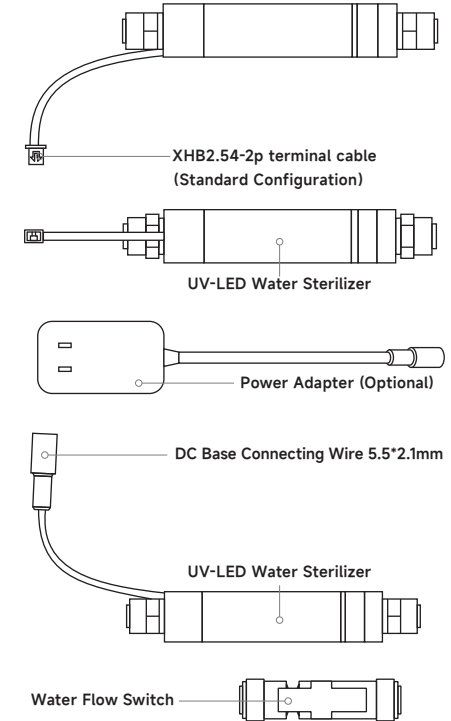
### Main Technical Parameter

Product Name	UV-LED Water Sterilizer
Model NO.	HC-MKDCY-20A-113
Input	100-240V, 50/60Hz
Output	12V/24V
Rated Power	5W
Applicable Water Pressure	0.1-0.4Mpa
Applicable Temperature	5-45°C
Switch Mode	Connecting Device or Water Flow Switch
Sterilization by	UVC Ultraviolet waveband 260-280NM
Effluent Water Flow Rate	2.0-3.0L/min
Effluent Water Quality	Refer to Part II-2.1.4.1 of the "Disinfection Technical Specifications" (2002 version by the Ministry of Health)

### Installation

Display and Function	Working Condition
Green Light	After water pass through the product, the indicator light turns "green" to indicate entering the sterilization mode for operation
Red Light	After water pass through the product, the indicator light turns "red" to indicate a module malfunction
Water Flow Switch (Optional+)	The inlet pipe is connected to the IN interface of the water flow switch, and the OUT outlet is the connection module inlet connector
Water Pipe	The inlet and outlet are connected to a 1/4" PE water pipe

### Structure



## Scope of Use

This UV-LED Water Sterilizer can be applied to Household and Commercial Water Purifiers, Water Dispensers, Intelligent toilets, Ice makers, Coffee machines, Food and Beverage Disinfection Equipment, Ultra-pure Water Instruments and other equipment etc.

## Points for Attention

1. Do not disassemble any components on the sterilizer randomly to prevent water leakage and damage to the module.
2. Do not use a power supply that is not proportional to the rated voltage of the sterilizer, as the sterilizer uses A single-phase secondary power socket with a voltage range of 100-260V~50/60HZ.
3. When not in use for more than 24 hours, unplug the power plug, close the inlet ball valve, and cut off the water source.
4. When not in use for more than 72 hours, the previous use operation should be followed when reusing.
5. Handle with care during loading or unloading .
6. When the sterilizer malfunctions, the power and water sources shall be cut off immediately and contact professional technical personnel for maintenance.
7. Please check whether the voltage marked on the product matches the local power supply voltage before connecting the product to the power supply
8. In case that the power cord is damaged, it must be replaced by the manufacturer or its maintenance department or similar dedicated personnel to avoid danger
9. In case that the plug, power cord, or product itself is damaged, do not use this product again.
10. This product is not intended for use by individuals (including children) who lack relevant experience and technology, unless there are safety personnel responsible for providing guidance or instructions on the use of the product.
11. Do not move the product by pulling on the power cord.

## Product Hazardous Substance Declaration

In order to meet the restrictions on harmful substances in Chinese electronic and electrical products laws, regulations, and other requirements, our company has conducted a detailed internal investigation and classified the components as follows

Components	Hazardous Substance					
	(Pb)	(Hg)	(Cd)	(Cr(VI))	(PBB)	(PBDE)
Rubber Seal	○	○	○	○	○	○
Electric Plate	×	○	×	○	○	○
Other Metal Structural Components	○	○	○	○	○	○
AC Adapter	×	○	○	○	○	○
Plastic	○	○	○	○	○	○
Wire	○	○	○	○	○	○
Packaging Printing	○	○	○	○	○	○

## Warranty

Name	
Address	
Phone Number	
Purchase Date	
Please fill out each column of this warranty in detail and stamp it with the dealer's seal, otherwise it will be invalid.	
1. This product has undergone strict inspection before leaving the company. Users shall comply with the instructions and proper storage conditions, and the warranty period is one year from the purchase date.	
2. In case that any of the following situations is occurred during the warranty period, free maintenance will be canceled :	
① Failure to present warranty card or purchase voucher (invoice or receipt);	
② Repairs exceeding the warranty period;	
③ Damage caused by disassembly or renovation;	
④ Damage caused by incorrect/negligent use or improper human use;	
⑤ Failure or damage caused by non ordinary household use (such as prolonged use in harsh environments);	
⑥ Dirty appearance caused by long-term ordinary household use.	
Inspector Signature	Dealer Signature and Seal

## SHENZHEN HECHUANG HITECH CO., LTD.

Phone No: +86-769-82082301 / +86-769-82082380

Website: <https://www.hc-hitech.com>

Address: R&D Operations Center: 23rd Floor, Building S6, Tian'an Cyber Park, Fenggang, Dongguan, Guangdong China

Headquarters: Workshop 101-1, No. 1-1 Egongling West Road, Liulian Community, Pingdi Street, Longgang District, Shenzhen, Guangdong China